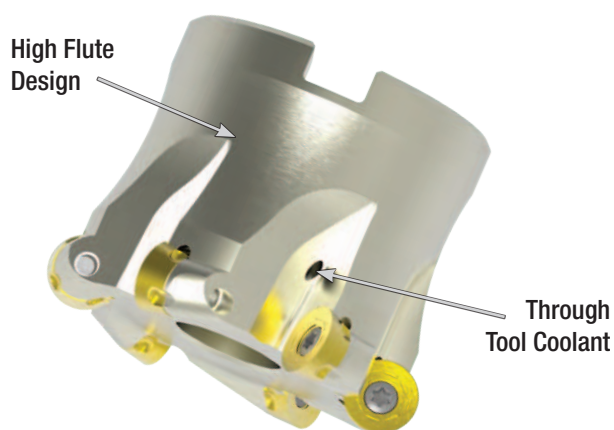




## VRD / VR Anti-Rotation Technology

### Maximum Chip Evacuation



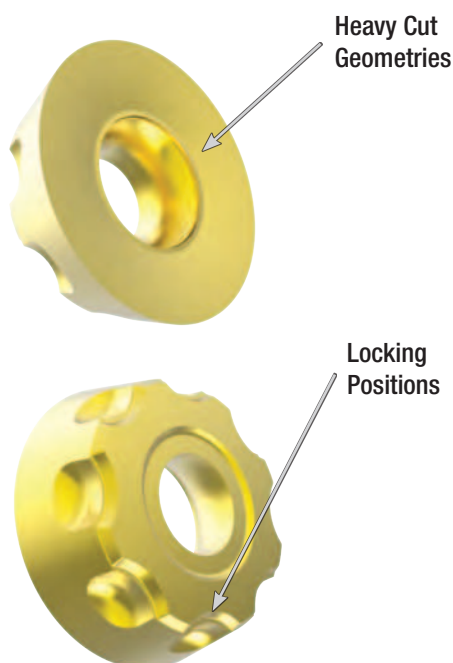
### The High Flute Indexing Cutter

The 7710 and 7713 series cutters feature a unique patented pocket system that locks the inserts into position to prevent inserts from moving during heavy machining.

- Through Coolant and unique flow through pocket design maximise chip evacuation and increase tool life

7713 Patented series cutter bodies are armored with Satin Silver plating to protect body integrity in milling high performance materials.

### Maximum Tool Life



### The Positive Indexing Round Insert

The Anti-Rotation insert features four, five or eight locking positions which mate with the pocket of the cutter body.

- Positive positioning of the insert throughout the heaviest cuts
- Maximum indexes to optimize tool life and reduce tooling costs